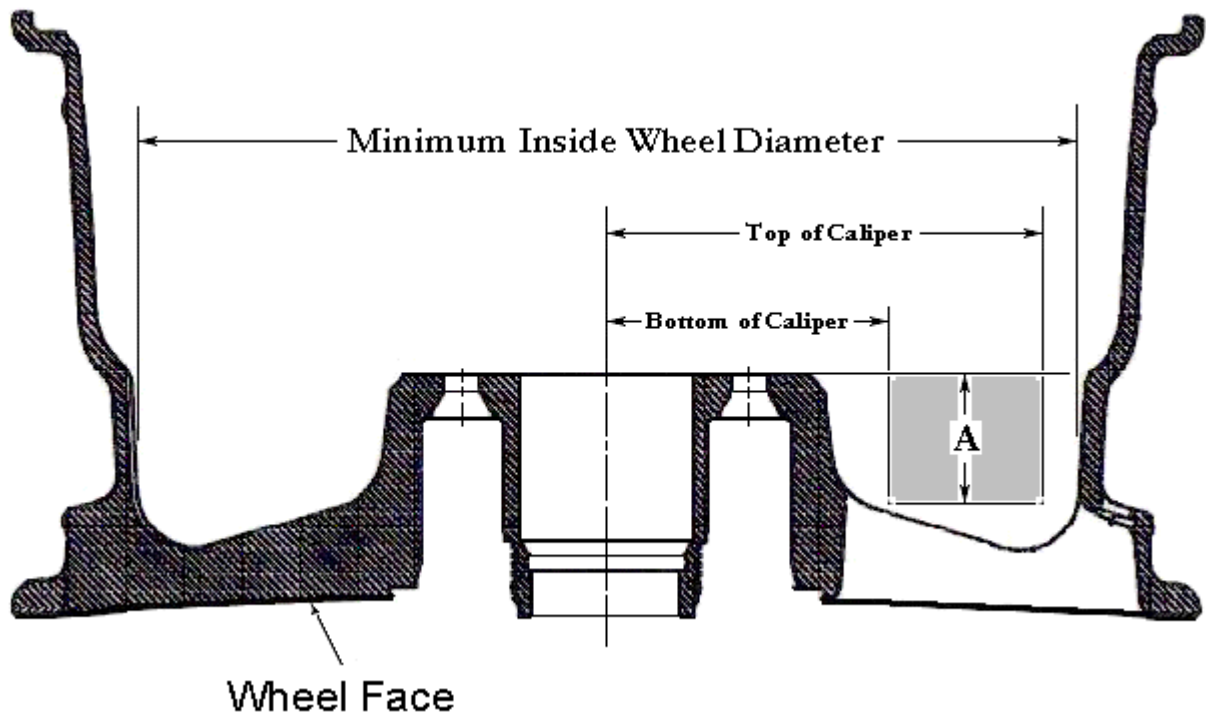


Wheel Measurement



<u>Rotor Diameter</u>	<u>"A" Dimension</u>	<u>Bottom of Caliper</u>	<u>Top of Caliper</u>
355 mm (14.0")	45 mm (1.8")	119 mm (4.7")	203 mm (8.0")

Example: 14" Front Kit 1B1.8036A for Chevy SSR & Trailblazer

- With a straight edge measure from the middle of the center bore out to 119 mm for the Front Kit to locate the caliper bottom.
- Now measure down from the straight edge to the back of the wheel spoke for the Kit's "A" measurement. **The Kit needs 45 mm or more for the "A" dimension** to clear the caliper.
- Repeat these (2) steps for the caliper clearance through to the top of the caliper.