



# INSTALLATION INSTRUCTIONS

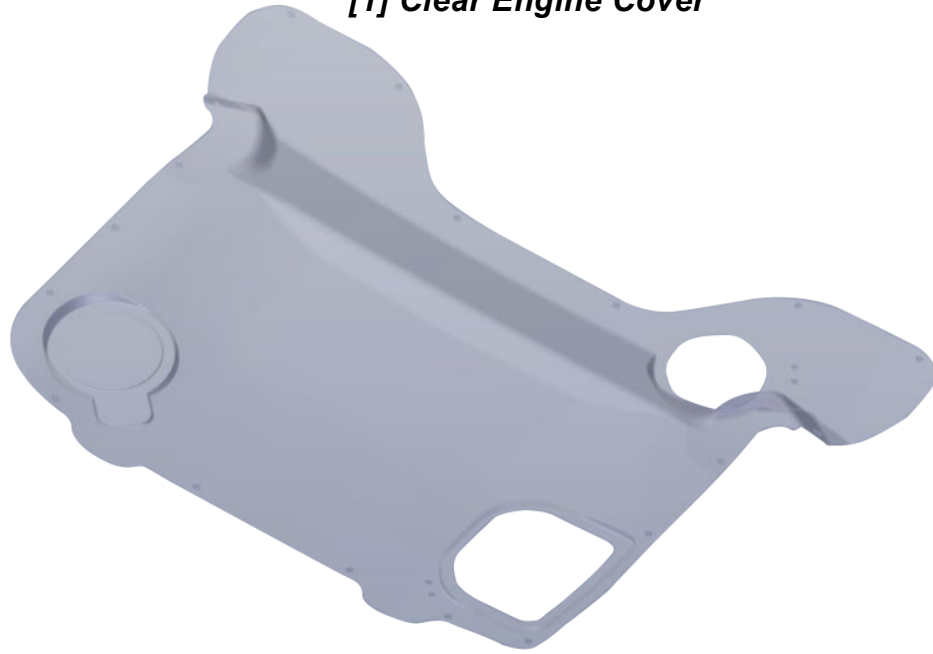
## Clear Engine Cover C8 Corvette Hard Top Convertible

250 Hunter Heights Rd • Milton, Kentucky • 812-220-9079

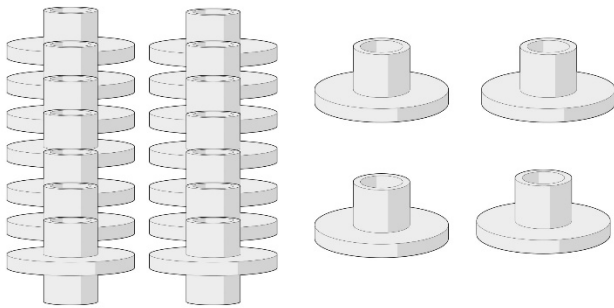
### Tools needed:

- #15 Torx Screwdriver
- 10mm Socket
- Ratchet

### Items included in kit: [1] Clear Engine Cover



[14] Double sided Grommets [4] Single Sided Grommets [1] Adhesive Seal



### Need help with your installation?



Info@RapidRev.com



812-220-9079



www.RapidRev.com

Place the car into service mode by Using the fob, press “lock” then press and hold the convertible top button on the remote

Remove the 18 #10 Torx bits securing the OEM Engine Cover



Using a 10mm socket, remove the access flaps from the OEM Engine Cover





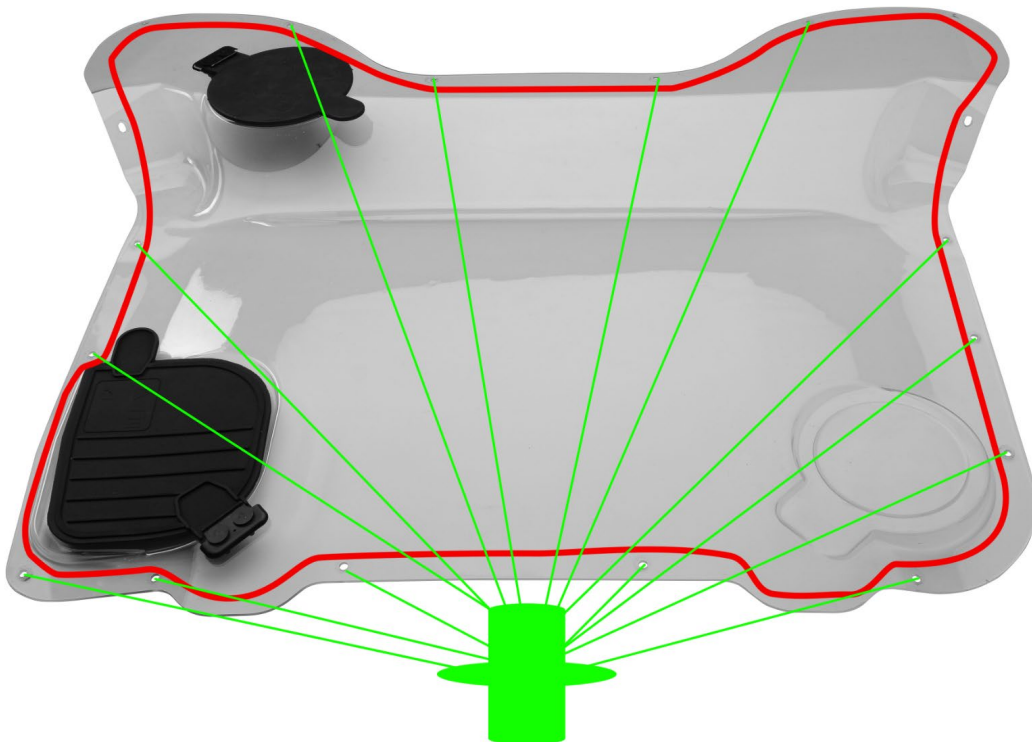
Install the access flaps onto the Clear Engine Cover



Apply the adhesive seal around the Clear Engine Cover. Follow around the mounting holes with the seal on the inside of them.



Place the 14 double sided grommets into the the mounting holes where the OEM cover was on the car. (For this step, these are placed on the car, not the clear cover)



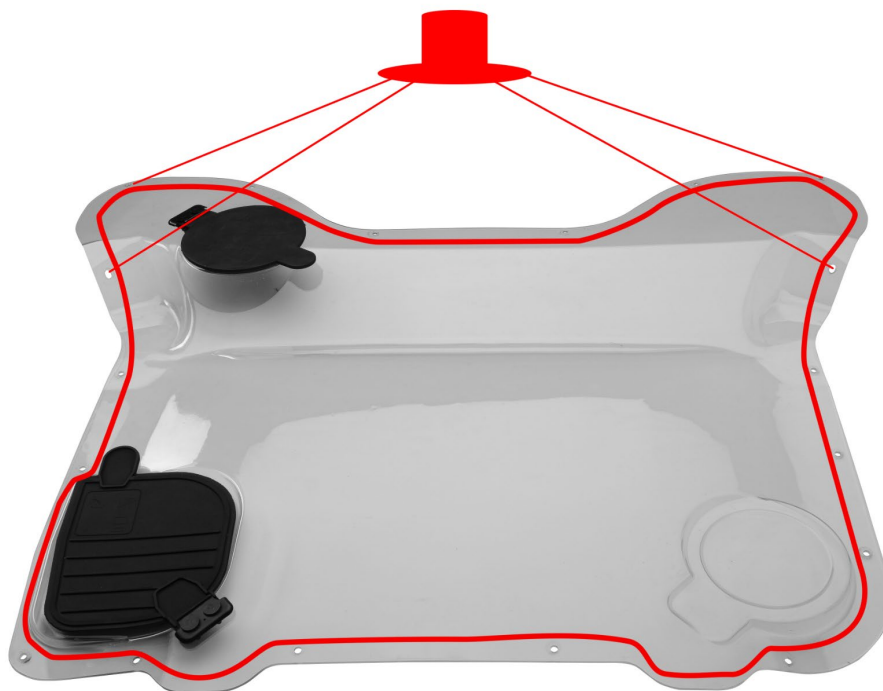
Gently place the cover on top the grommets to line it up where the grommets are seated inside of the mounting holes on the cover, use caution to not knock the grommets out.



Lightly fasten a few of the bolts utilizing the OEM hardware removed from the stock cover. Just tight enough to hold the cover in place for now.



Install the 4 single sided grommets. These can be a little tricky. Gently lift the corners of the clear cover on the upper backside and slide the single sided grommets under the cover into position one by one. The flat portion of the grommet will rest on the car and the top will rest inside the hole of the cover. As you place them, lightly thread the OEM hardware into each, only a few threads, just enough to secure the grommets from slipping out of place. Refer to the diagram below.





Once all 4 of the single sided grommets are in place go back around the perimeter of the cover and fasten all 18 bolts to secure the cover in place. Do not use power tools as over-torquing the bolts may cause damage to the cover. Once you have ensured that all 18 bolts are secure installation is complete.



## Liability Statement

THIS WARRANTY GIVES YOU SPECIFIC LEGAL RIGHTS AND YOU MAY ALSO HAVE OTHER RIGHTS WHICH VARY FROM STATE TO STATE.

RapidRev, LLC ("RapidRev") warrants to the Customer that each new Engine Bay Cover ("Product") will be free from defects of material and workmanship under normal and proper use for a period of one (1) year from the date of purchase ("Limited Warranty Period").

For purposes of illustration, but not limitation, the following are not defects in material or workmanship: (a) normal wear and tear and/or required maintenance; (b) improper handling, storage, mounting, installation, lubrication or maintenance; (c) damage resulting from or related to misuse, abuse, unauthorized modification or alteration, accident, acts of God, or external causes; and (d) cosmetic damage (nicks, bruising, discoloration).

EXCEPT WHERE PROHIBITED BY LAW, THIS WARRANTY IS EXCLUSIVE AND THE ONLY WARRANTY APPLICABLE TO THE PRODUCT. IT IS OFFERED EXPRESSLY IN LIEU OF ANY OTHER WARRANTIES, EXPRESS OR IMPLIED, INCLUDING ANY IMPLIED WARRANTY OF MERCHANTABILITY OR FITNESS FOR A PARTICULAR PURPOSE, ALL OF WHICH ARE DISCLAIMED. To the extent a state or jurisdiction prohibits the disclaimer of implied warranties, such implied warranties are limited to the one (1) year Limited Warranty Period.

### Limited Remedies

If the Product fails because of a defect in material and/or workmanship during the Limited Warranty Period, RapidRev shall replace the Product. RapidRev's replacement shall be made at no cost for parts to the Customer. The Customer shall be responsible for all labor costs related to the removal and/or replacement of the Product. The Customer shall also be responsible and must prepay all shipping or transportation charges associated with the warranty service including return of the Product to RapidRev. Additionally, the Customer shall assume all risk of loss or damage to the Product until receipt by RapidRev. In the event of a defect, to the extent permitted by law, these are the Customer's sole and exclusive remedies.

### Incidental and Consequential Damage Disclaimer

EXCEPT WHERE PROHIBITED BY LAW, RAPIDREV DISCLAIMS AND UNDER NO CIRCUMSTANCES SHALL BE LIABLE FOR SPECIAL, INCIDENTAL, INDIRECT OR CONSEQUENTIAL DAMAGES OR LOSSES RESULTING FROM THE USE, MISUSE, OR INABILITY TO USE THE PRODUCT AS WELL AS ANY BREACHES OF THIS WARRANTY OR ANY IMPLIED WARRANTY REGARDLESS OF THE CAUSE AND EVEN IF THE CLAIMED DAMAGES OR LOSSES WERE CAUSED BY A WARRANTABLE DEFECT.

I/3342612.2

In no event shall RAPIDREV's liability exceed the selling price for the PRODUCT.

### Obtaining Warranty Service

To obtain warranty service on your Product, you must email [info@rapidrev.com](mailto:info@rapidrev.com) or contact RapidRev' Customer Support at 812-220-9079 promptly upon failure. You will need to provide valid proof of purchase. You may also be required to submit a photo of the failed Product. Upon verification that it is a RapidRev product and within the Limited Warranty Period, Customer will be provided a Return Material Authorization to return the Product to the address directed by RapidRev' Customer Support. At RapidRev' discretion, from time to time for your convenience, RapidRev may ship you a replacement Product prior to your return or RapidRev' inspection of the Product. Should that occur, you agree that if RapidRev' inspection of the returned Product reveals that the Product has not suffered a warrantable defect, then you will pay for the replacement Product.

### Governing Law

This Limited Warranty shall be governed by the laws of the State of Indiana without giving effect to any conflict of laws principles that may provide the application of the law of another jurisdiction. If any term is held to be illegal or unenforceable, the legality or enforceability of the remaining terms shall not be affected or impaired.

Installing any component on any equipment may violate local, state, or federal law. You are responsible for understanding any and all laws that effect the use of the.

The components could impact equipment operation. User is responsible for ensuring that the Engine Bay Cover is compatible with their equipment as currently configured, properly installed and understand any impact the Engine Bay Cover has or might have on equipment operation.