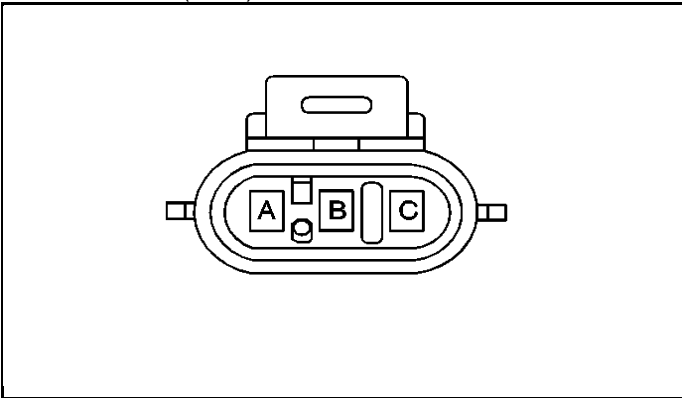
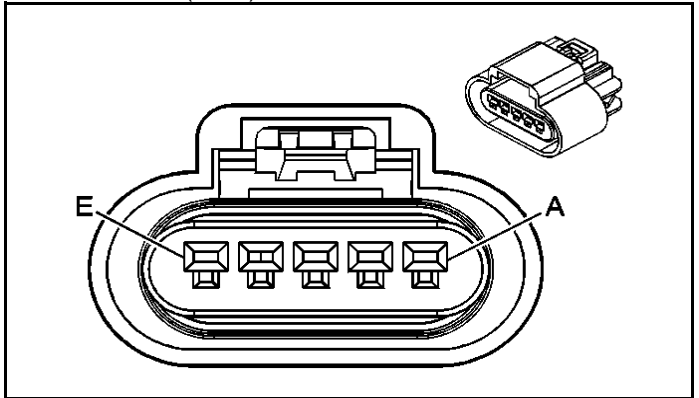


Mass Air Flow (MAF) Sensor



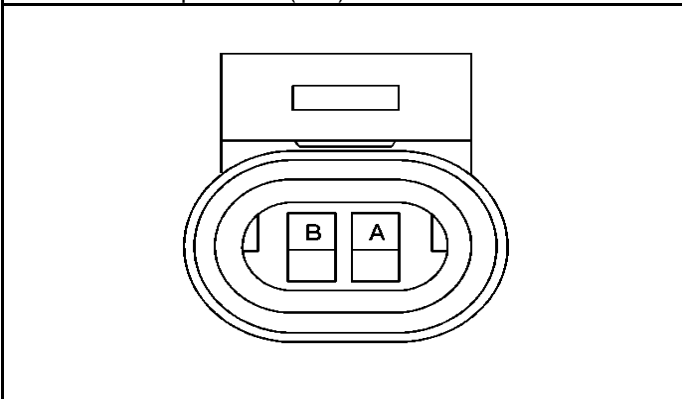
1994-2000 Corvette & F-body connector			
Pin	Wire Color	Circuit No.	Function
A	YEL	492	MAF Sensor Signal
B	BLK/WHT	451	Ground
C	PNK	339	Ignition Feed

Mass Air Flow (MAF) Sensor



LPE 4" MAF sensor/connector	
Pin	Function
A	MAF Sensor Signal
B	Ground
C	Ignition 1 Voltage

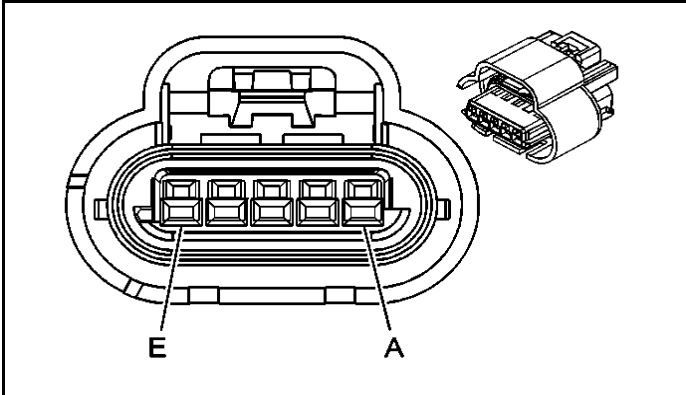
Intake Air Temperature (IAT) Sensor



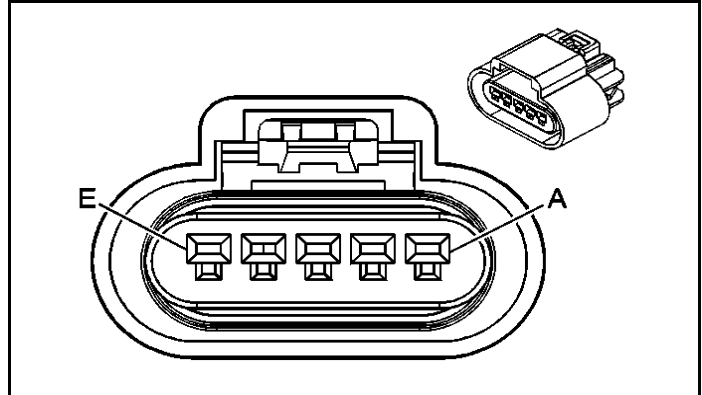
1994-2000 Corvette & F-body connector			
Pin	Wire Color	Circuit No.	Function
A	PPL	719	Intake Air Temperature (IAT) Sensor - Ground
B	TAN	472	Intake Air Temperature (IAT) Sensor - Signal

LPE 4" MAF sensor/connector	
Pin	Function
E	Low Reference
D	IAT Sensor Signal

01-04 C5 to LPE

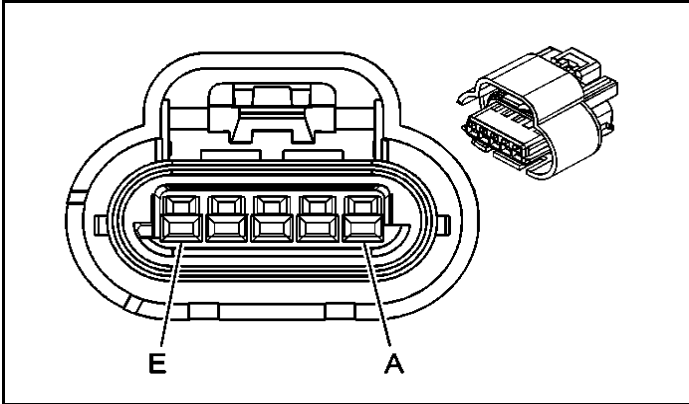


2001-2004 C5 Corvette connector			
Pin	Wire Color	Circuit No.	Function
A	PPL	719	Low Reference
B	TAN	472	IAT Sensor Signal
C	BLK/WHT	451	Ground
D	PNK	339	Ignition 1 Voltage
E	YEL	492	MAF Sensor Signal

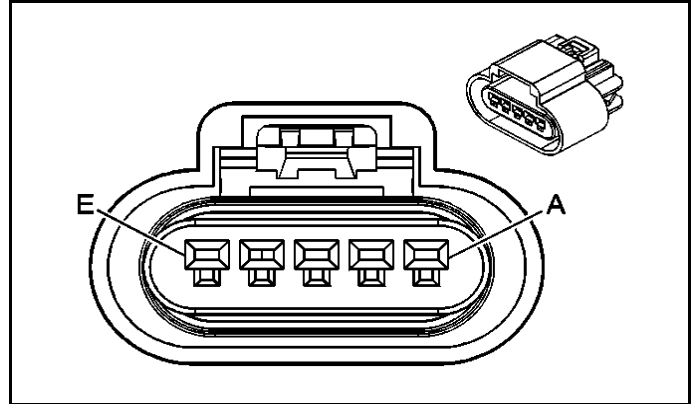


LPE 4" MAF sensor/connector	
Pin	Function
E	Low Reference
D	IAT Sensor Signal
B	Ground
C	Ignition 1 Voltage
A	MAF Sensor Signal

>>  
>>  
>>  
>>  
>>  
>>



2005-2006 LS2 Corvette connector			
Pin	Wire Color	Circuit No.	Function
A	TN	2760	Low Reference
B	TN	472	IAT Sensor Signal
C	BK/WH	451	Ground
D	PK	539	Ignition 1 Voltage
E	YE	492	MAF Sensor Signal



LPE 4" MAF sensor/connector	
Pin	Function
E	Low Reference
D	IAT Sensor Signal
B	Ground
C	Ignition 1 Voltage
A	MAF Sensor Signal

>>  
>>  
>>  
>>  
>>  
>>